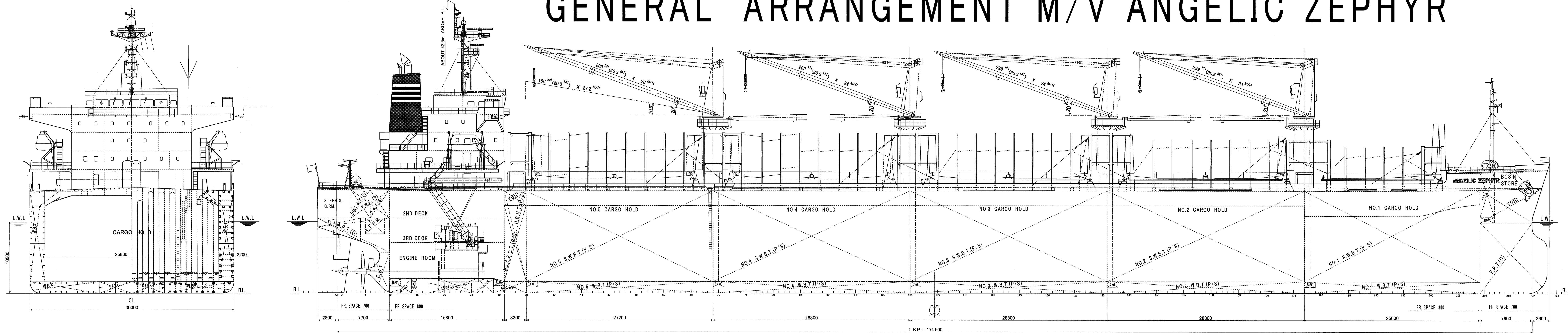
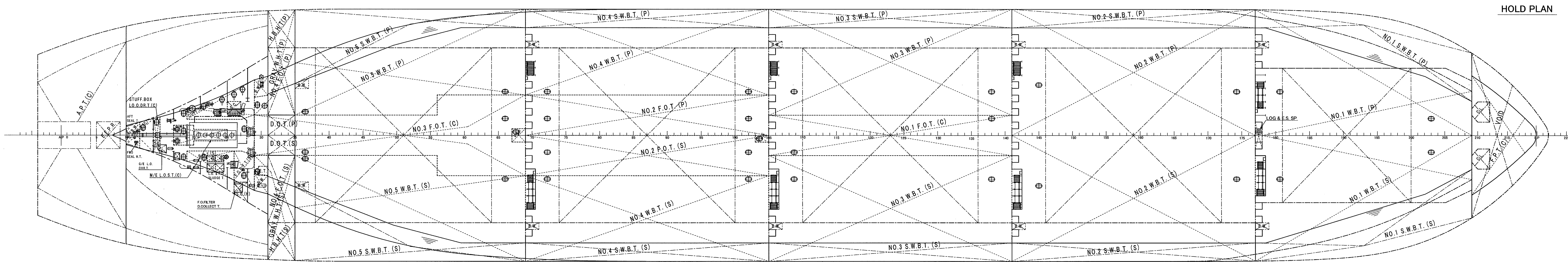
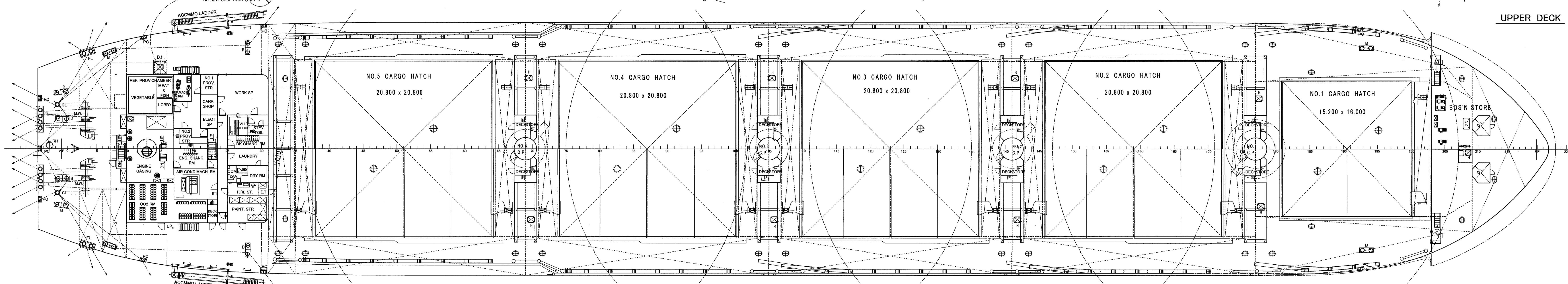
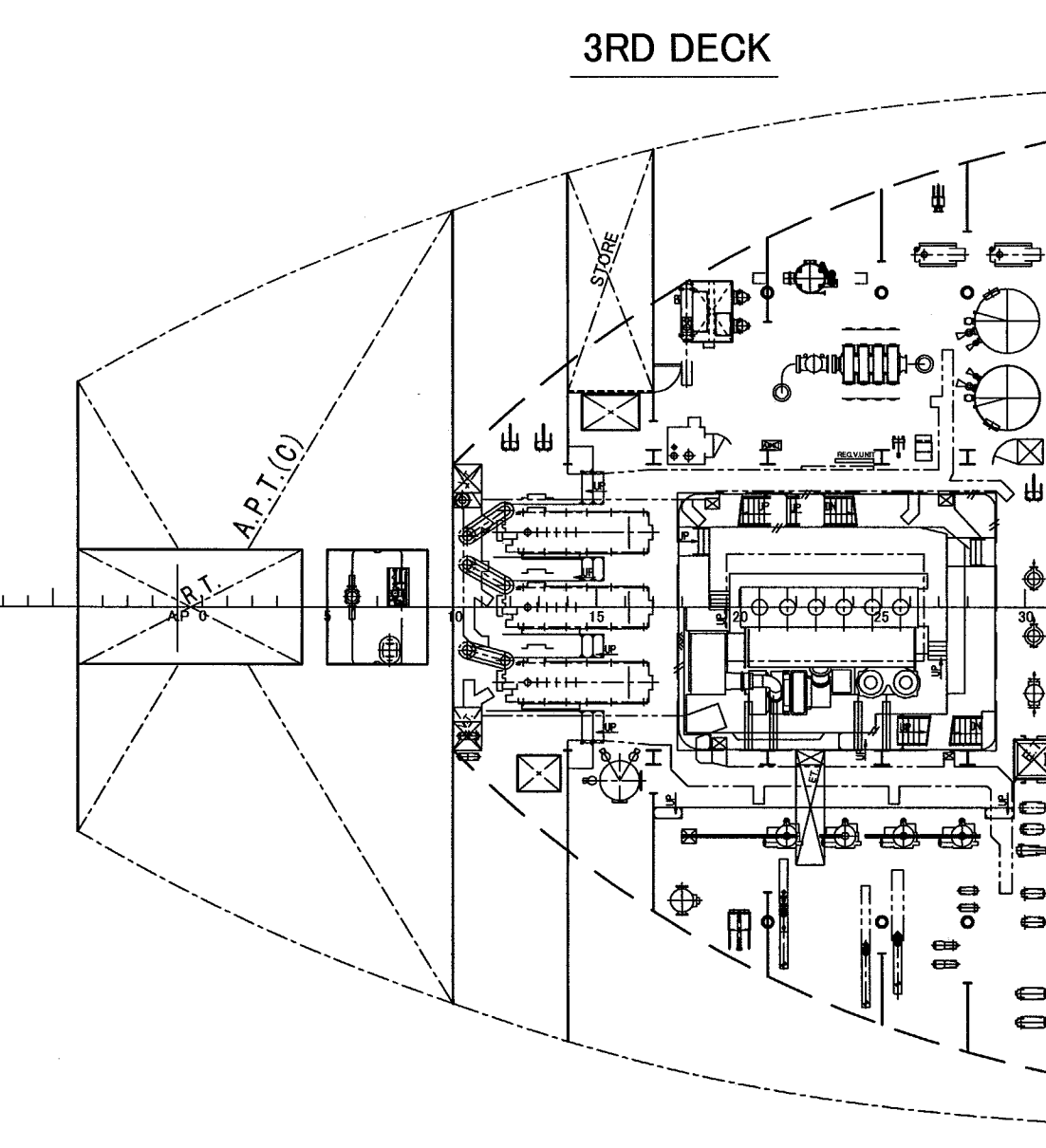
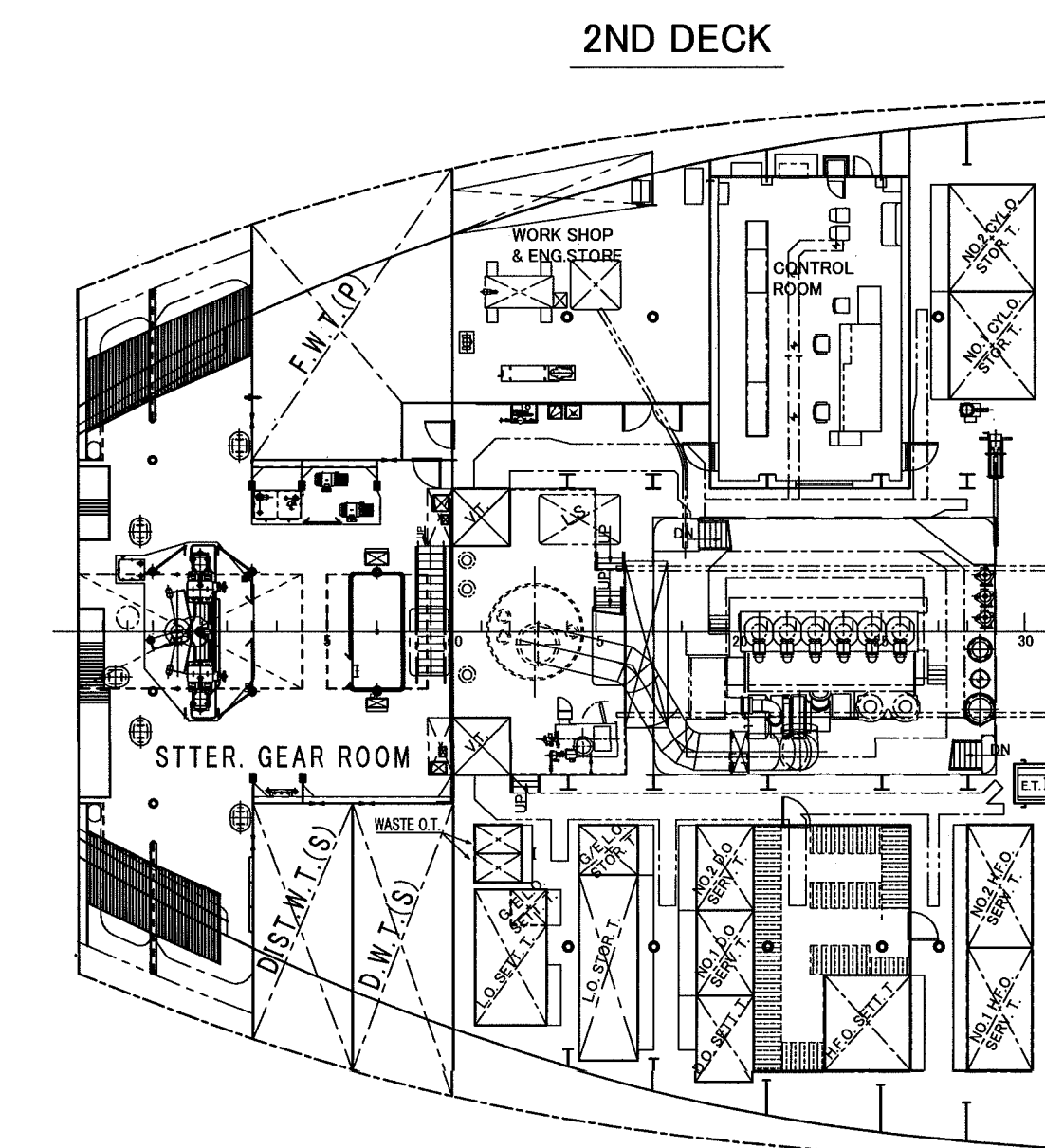
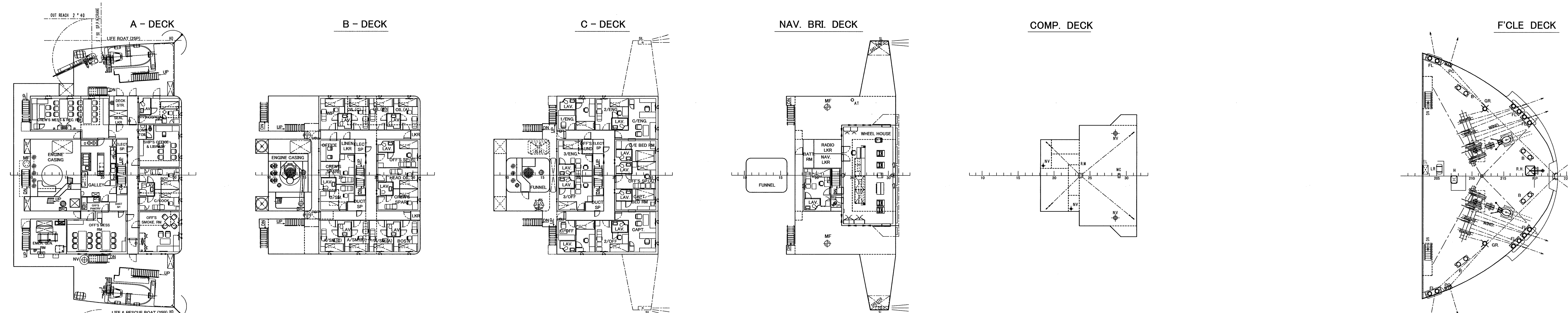
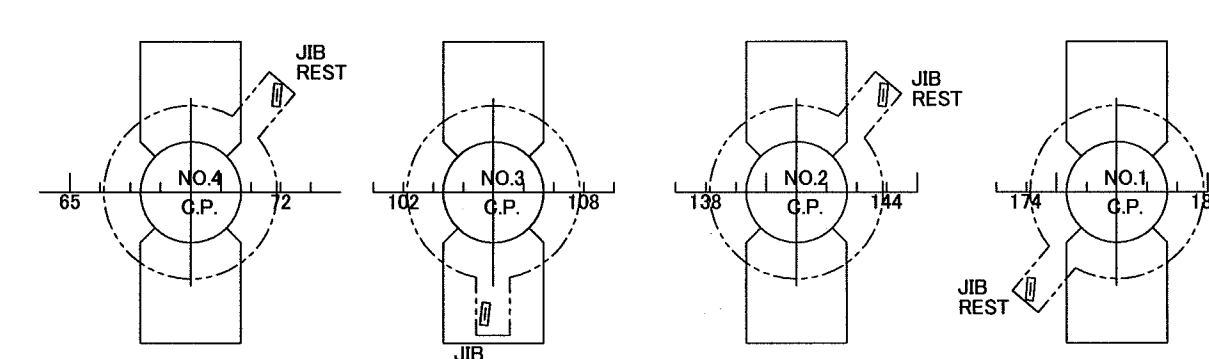


GENERAL ARRANGEMENT M/V ANGELIC ZEPHYR

BIBLIOGRAPHY



DECK HOUSE TOP & DECK CRANE PLATFORM



PRINCIPAL PARTICULARS	
LENGTH (O.A.)	179 M.930
LENGTH (B.P.)	174 M.500
BREADTH (M.L.D.)	30 M.000
DEPTH (M.L.D.)	15 M.000
DESIGNED DRAFT (M.L.D.)	10 M.027
SUMMER DRAFT (M.L.D.)	10 M.527
GROSS TONNAGE	23,224
DEADWEIGHT (DESIGNED DRAFT 10 ^{M.00})	35,331 MT
DEADWEIGHT (SUMMER DRAFT 10 ^{M.50})	37,780 MT
MAIN ENGINE	6UEC45LSE-B2 X 1 SET
	M.C.O. 6,840KW X 108min ⁻¹
	C.S.O (80% M.C.O.) 5,472KW X ABOUT 100.3min ⁻¹
SERVICE SPEED	APPROX. 14.30 KNOTS
(AT DESIGNED DRAFT = 10 ^{M.00} , C.S.O., 15% SM)	25 P
COMPLEMENT	47,531 M ³
HOLD CAPACITY :	BALE 45,904 M ³
	GRAIN 47,531 M ³
CLASSIFICATION :	(NK, NS', (BCM, BC-XII, GRAB, EQ C DG, EQ C LB, PSPC-WBT) (BWTIS) MNS'

(Descriptive note)
Strengthened for heavy cargo loading where hold nos. 2&4
May be empty / Double hull construction applied to all cargo holds

IMO 9700964 FINISHED PLAN
SHIP NAME ANGELIC ZEPHYR
SHIP No. 544 CLASSIFICATION NK
D.W. 37,000 MT TYPE LOG & CARGO SHIP

GENERAL ARRANGEMENT

KANDA	DIRECTOR	<i>[Signature]</i>	SCALE	1/250
SHIPBUILDING CO. LTD.	MANAGER	<i>[Signature]</i>		
DESIGN DEPARTMENT	DEPUTY MANAGER	<i>[Signature]</i>		
KURE JAPAN	CHIEF	<i>[Signature]</i>		
	DEPUTY CHIEF	<i>[Signature]</i>		
	IN CHARGE	<i>[Signature]</i>		
	DRAWN BY	<i>[Signature]</i>		
	CHECKED BY	<i>[Signature]</i>		
	DATE DRAWN	24 September 2014		
	DRAWING NO.	K-1		

REVISIONS

NO.	DESCRIPTION	DATE
1	ISSUED FOR APPROVAL	SEP 26 2014
2	ISSUED FOR CONSTRUCTION	SEP 26 2014